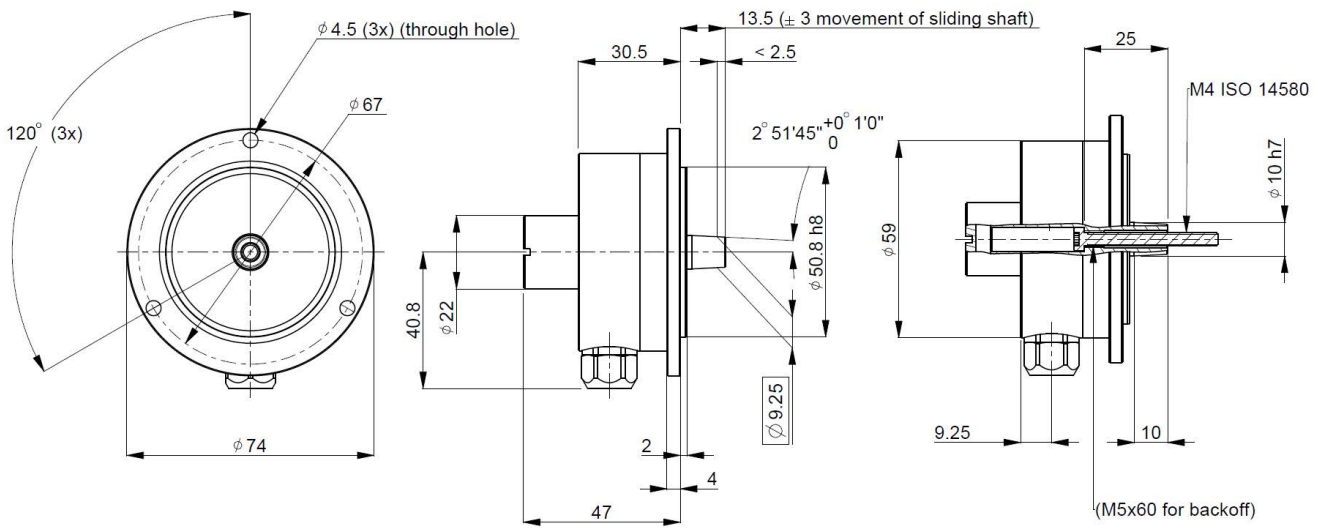


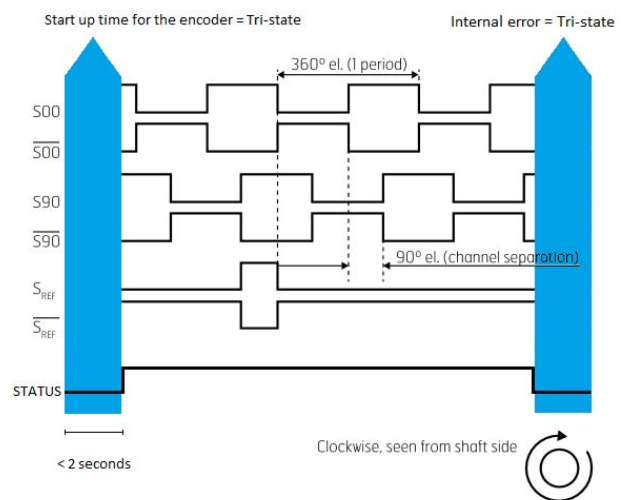
Dimensions



Pin Configuration

Function	Colour
S90	Green
S90 inverted	White
S00 inverted	Black
S00	Yellow
+E Volt	Red
0 Volt	Blue
Sref	Brown
Sref inverted	Violet
STATUS	Grey
NC	Pink
Case	Shield

Output signal



Order information

Part number	1361848-01
-------------	------------