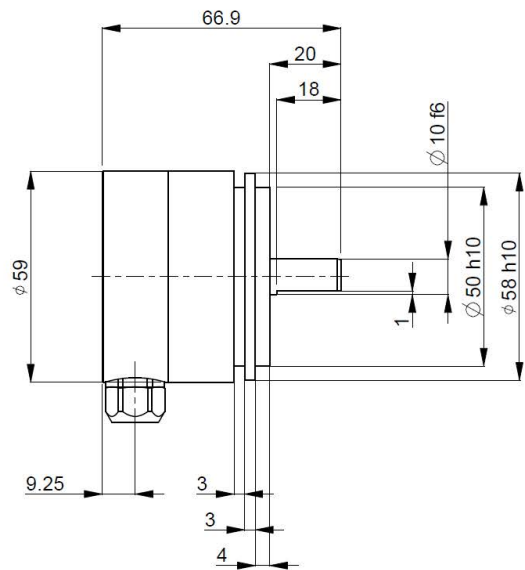
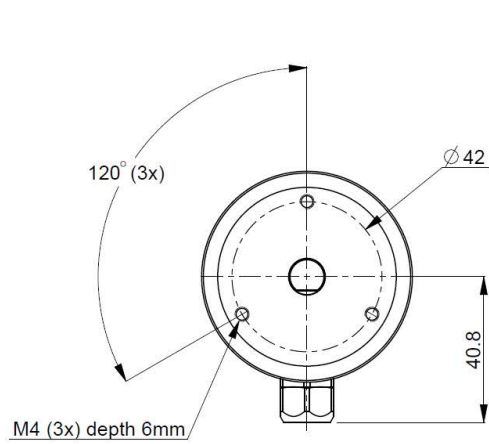


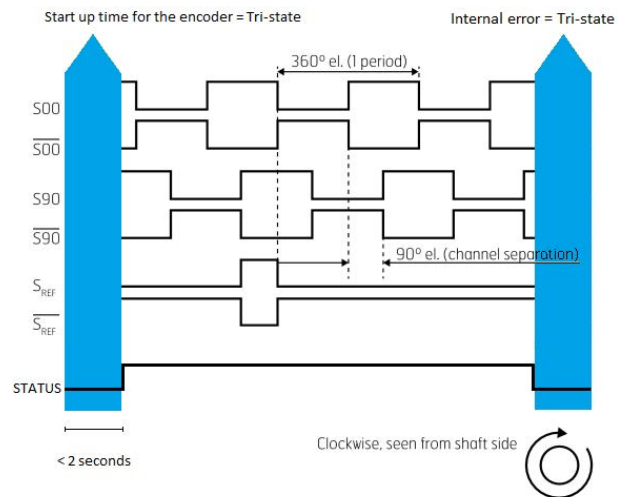
Dimensions



Pin Configuration

Function	Colour
+ E Volt	Red
0 Volt	Blue
S00	Yellow
S00 inverted	Black
S90	Green
S90 inverted	White
Sref	Brown
Sref inverted	Violet
STATUS	Grey
Not connected	Pink
Case	Shield

Output signal



Order information

Part number	1361841-01
-------------	------------