

Modular Hollow shaft encoder, Incremental

- Robust encoder with hollow shaft
- Short-circuited protected outputs
- IP67 at housing, IP66 at shaft inlet
- Inductive scanning



Mechanical data

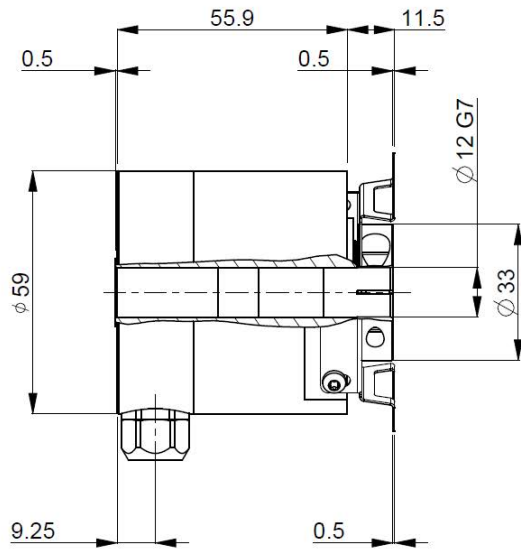
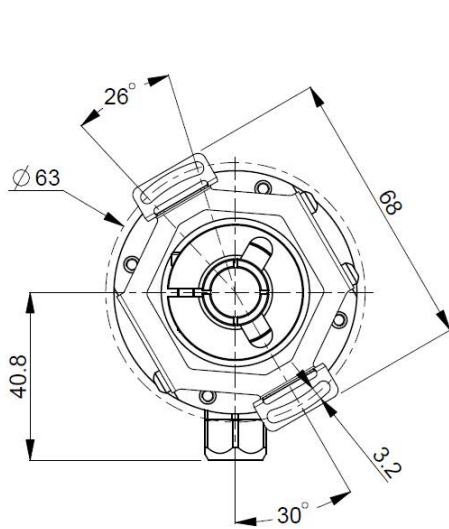
Operating temperature	-20 °C...+100 °C
Ingress protection class [IEC 60529]	IP67 (IP66 at shaft inlet)
Vibration [IEC 60068-2-64]	≤ 100 m/s ² (10-2000 Hz)
Shock [IEC 60068-2-27]	≤ 250 m/s ²
Shaft load (axial/radial)	100 N / 300 N
Rotational speed max	6000 rpm
Shaft material	Stainless steel
Cover material	Aluminium (Anodized)
Encoder weight	665 g

Encoder configuration

Type	MHI
Model	594
Shaft type	Ø12 mm through-going hollow shaft
Flange type	58/59-flange with stator coupling
Shaft fixation	Clamping ring
Resolution	600 ppr
Power supply	9-30 Vdc
Output signal	HTL
Connection type	Cable, Ø7.9 mm PUR 5x2x0.25
Connecting direction	Radial
Cable length	1.50 m
Number of channels	6 (S00, S00\, S90, S90\, Sref, Sref\)
STATUS signal	Yes

Electrical data

Polarity protected	Yes
Short circuit protected outputs	Yes
Current consumption	60 mA at 24 Vdc (Max. 130 mA at 9 Vdc)
Incremental output load (max)	± 40 mA
Output frequency max	205 kHz at 50m cable
Cable length max	100 m at 100 kHz
Channel separation	90 °el ± 25 °el
Encoder accuracy	< 300'' (arc seconds) @ < 500 rpm
Duty cycle	180 °el ± 27 °el
Start up time	< 2 seconds

Dimensions**Pin Configuration**

Function	Colour
+ E Volt	Red
0 Volt	Blue
S00	Yellow
S00 inverted	Black
S90	Green
S90 inverted	White
Sref	Brown
Sref inverted	Violet
STATUS	Grey
Not connected	Pink
Case	Shield

Output signal**Order information**

Part number	1361843-01
-------------	------------

Values in this datasheet are limits of the product, but may be influenced by ambient conditions.